

RAM AIR RECOVERY SYSTEM for Beechcraft KING AIR 200 Series

BOOST YOUR ENGINE POWER AND OVERALL PERFORMANCE



KING AIR
200 Series

 **RAISBECK**
ENGINEERING
AN ACORN GROWTH COMPANY

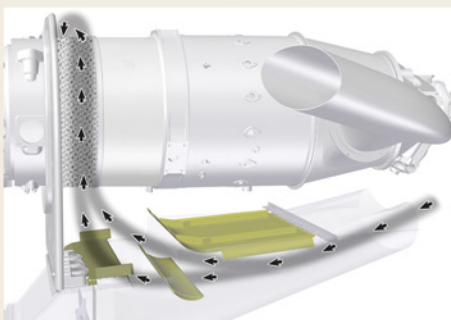
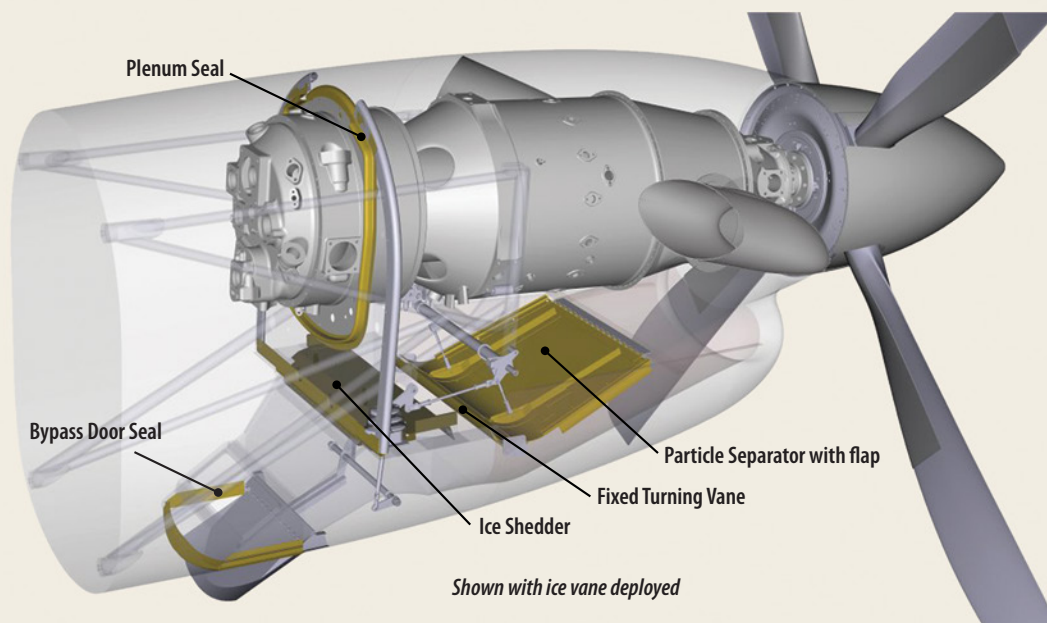
RAISBECK RAM AIR RECOVERY SYSTEM



Developed collaboratively with Pratt & Whitney of Canada, Raisbeck's **Ram Air Recovery System (RARS)** boosts your King Air 200 Series engine power and overall performance with a more efficient airflow delivery system.

By redirecting airflow to your engines more efficiently, Raisbeck's Ram Air Recovery System increases climb and cruise performance in all conditions. RARS provides an 8% increase in available horsepower at altitude, and decreases engine ITT by up to 18°C at equal torque—with reduced fuel flow resulting in extended range.

With Raisbeck's Ram Air Recovery System installed, you can deploy ice vanes for all ground, takeoff and landing operations—with minimal torque loss—and help prevent foreign object damage (FOD), thereby also extending your engine life due to less wear-and-tear on engine components.



Coanda-effect of Fixed Turning Vane efficiently directs airflow to the engines, while plenum seals prevent air from escaping the engine plenum chamber.



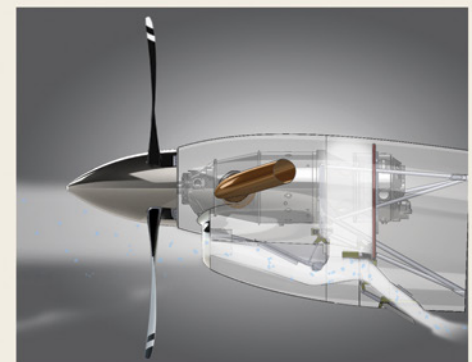
Ice Shedder

40% more holes improve airflow without compromising FOD protection.



Ice Shedder Screen (close-up view)

Staggered pattern allows more holes, thereby providing 40% greater porosity than OEM.



Deploy ice vanes for ground operations, takeoffs and landings to reduce FOD with no performance penalty.

Raisbeck's Ram Air Recovery System is OEM-standard on new King Air 250s